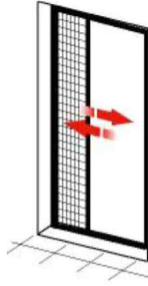


HORIZONTAL ROLL-UP INSECT SCREEN



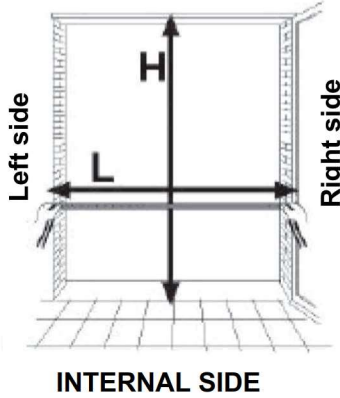
cod. 9IMZ081

agg. 1021

1

Example:
L=130 cm
H=220 cm

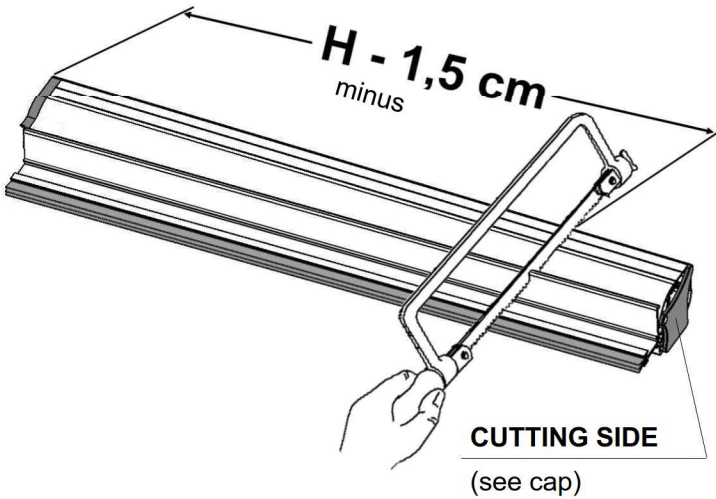
NB: the mosquito net is supplied pre-cut for the size indicated on the label. The reduction of the handle bar alone is however to be carried out (point 2b)



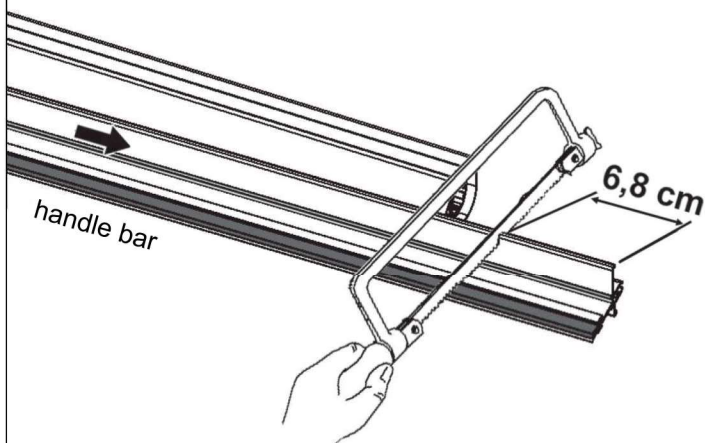
2

ATTENTION: make sure that the aluminum profiles are aligned at both ends.

2 a : first cut (box + handle bar + net together) is carried out with the measurement of the height H minus 1,5 cm
EXAMPLE:
H compartment (220) - 1,5 = cut the mosquito net at 218,5 cm.

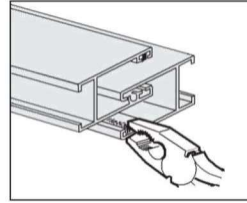
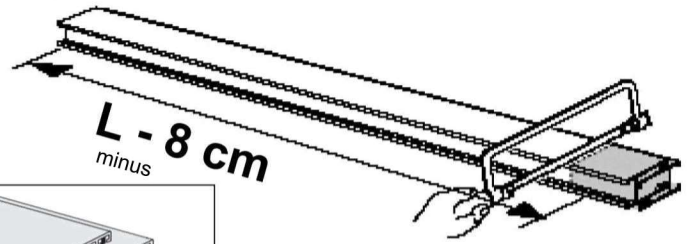


2 b : remove only the "handle bar" aluminum profile, which must be further cut by 6,8 cm (fixed size)



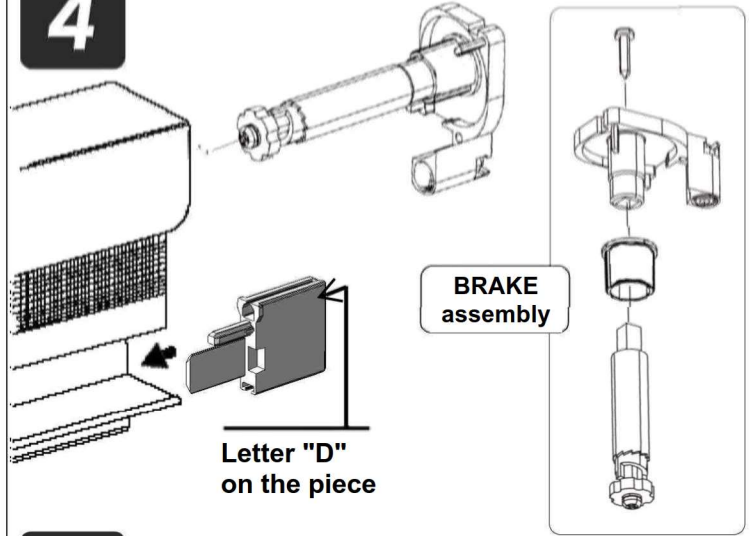
3

EXAMPLE:
L compartment (130) - 8 cm = cut at 122 cm.



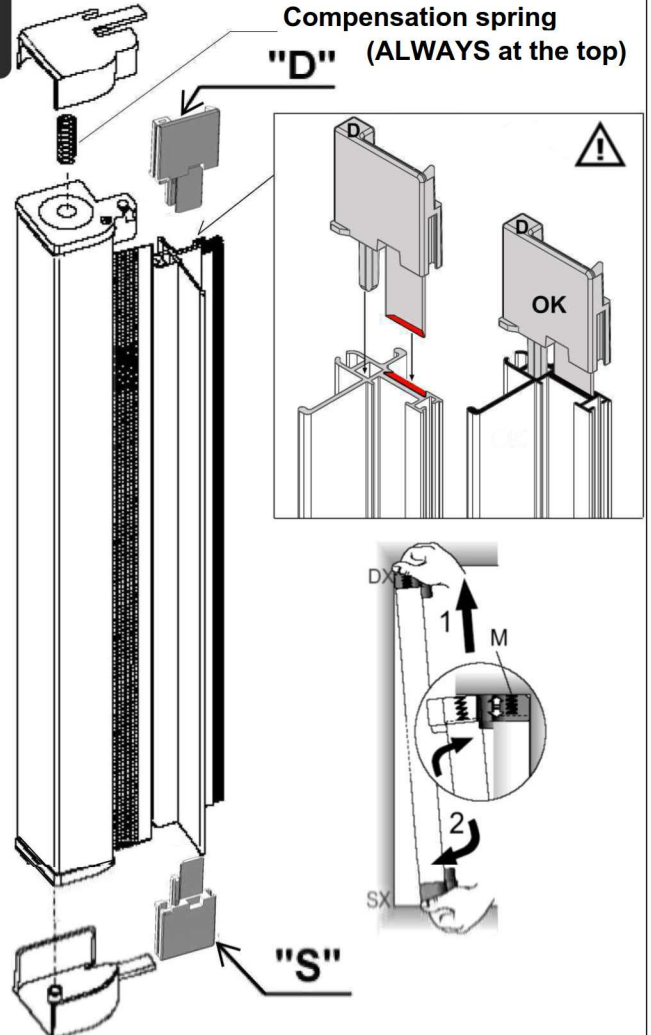
After cutting, lightly squeeze the ends of the guides to stop the brush.

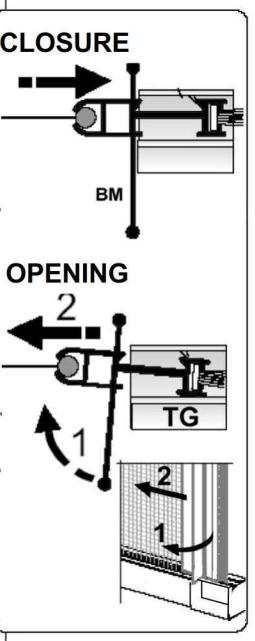
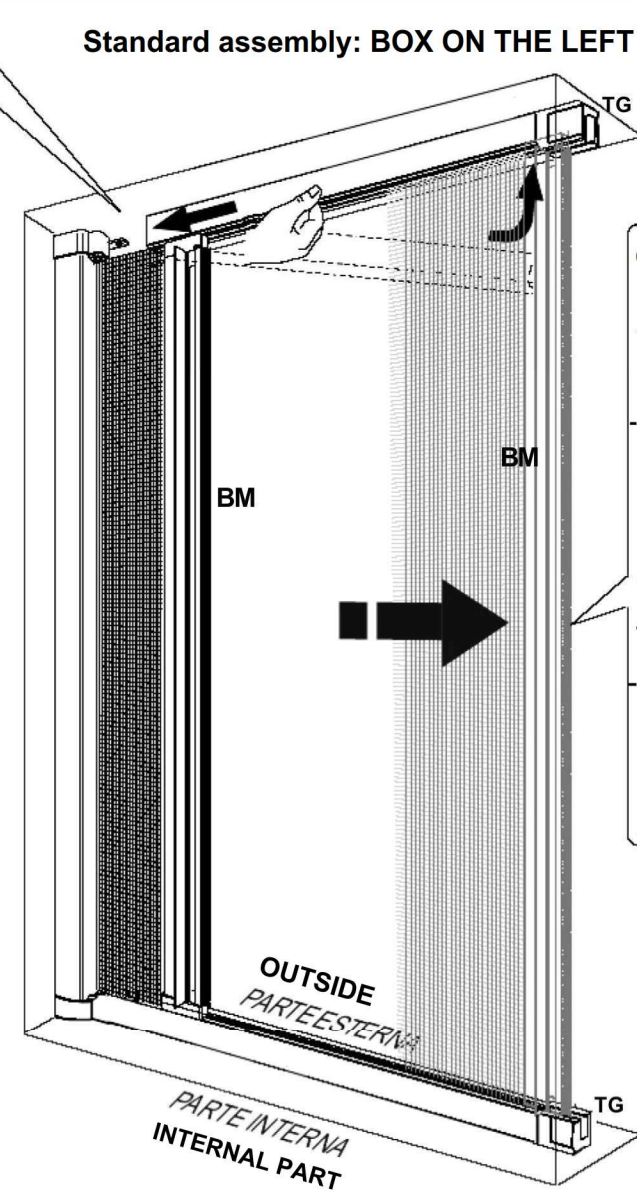
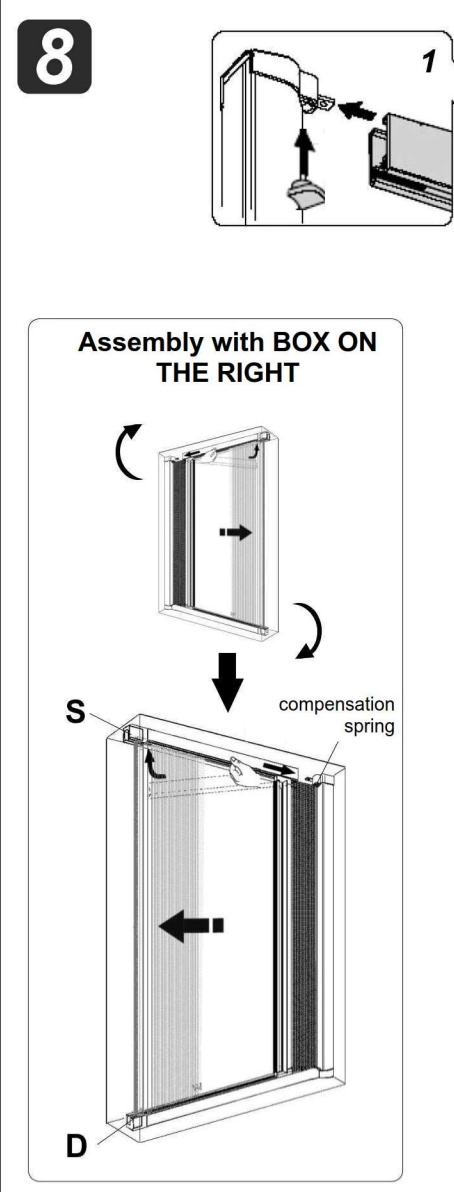
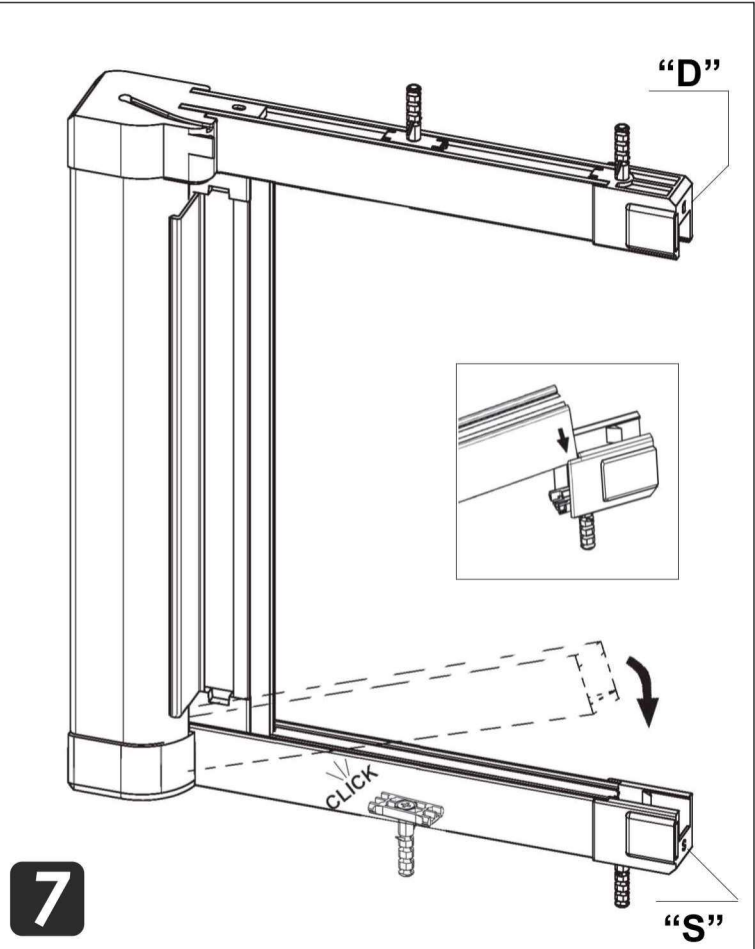
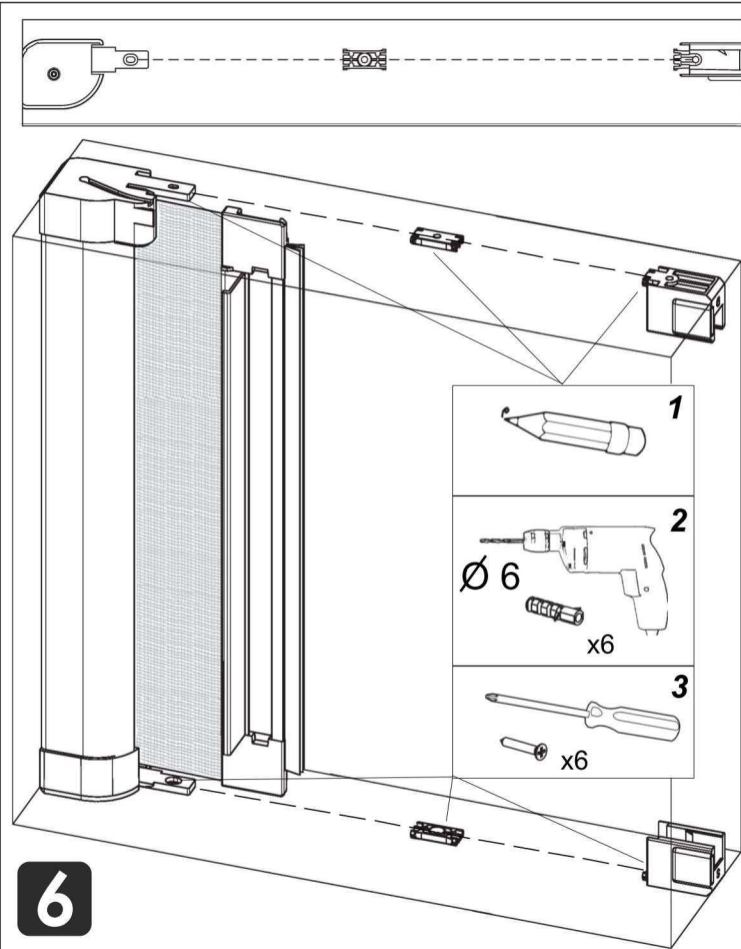
4



5

Compensation spring "D" (ALWAYS at the top)





WhatsApp
+39 334 8652182

dubbi? contattaci!
doubts? contact us!

MEDAL s.r.l.
Via dell'Industria, 12 - 40023 Castel Guelfo (BO)
tel. 0542.670101 r.a. - fax 0542.670128
www.zanzarierabazar.com - info@zanzarierabazar.com